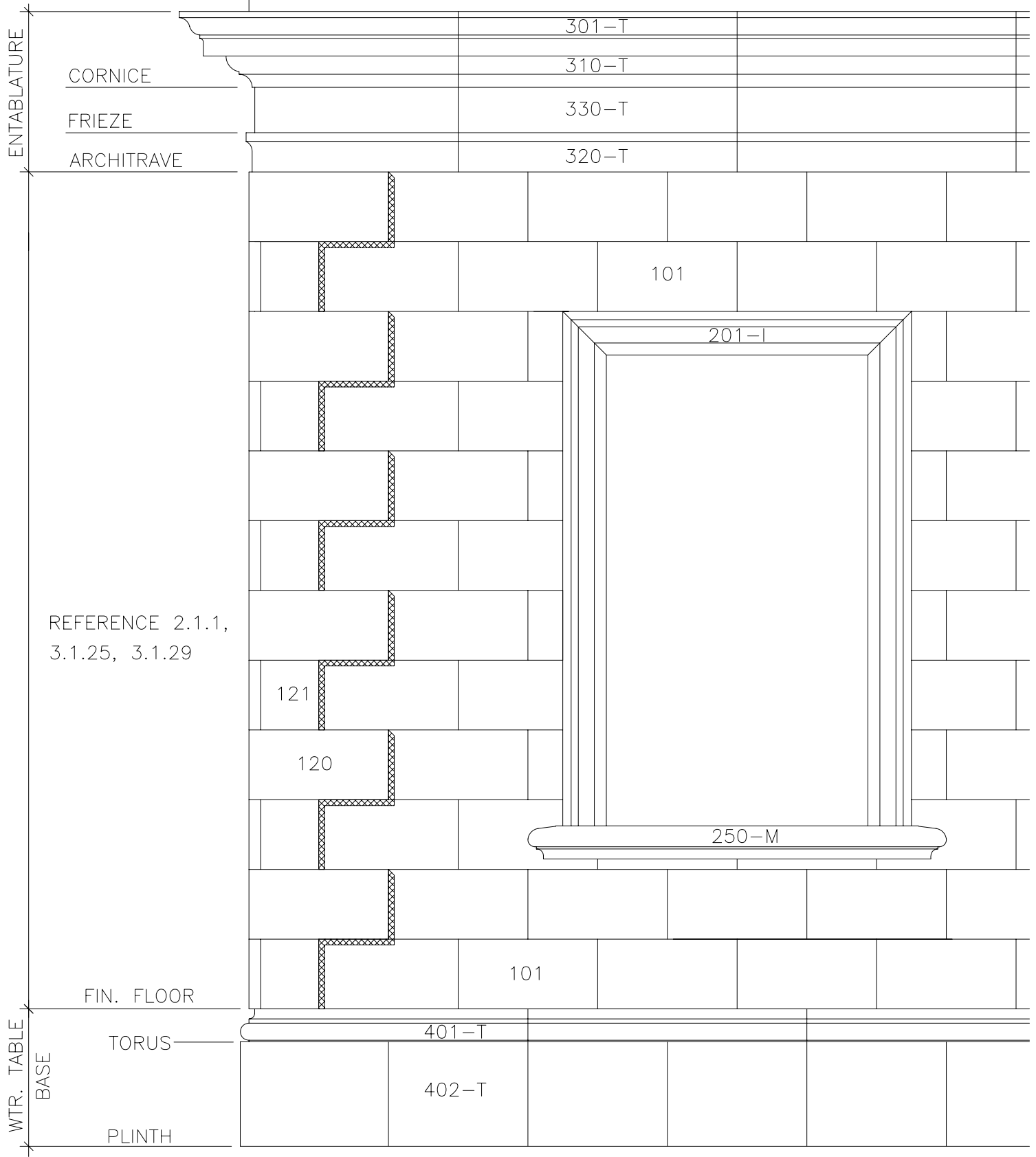


# CHAPTER 1. – APPLICATION EXAMPLES

# CLASSICAL



**AMERICAN LIMESTONE COMPANY**

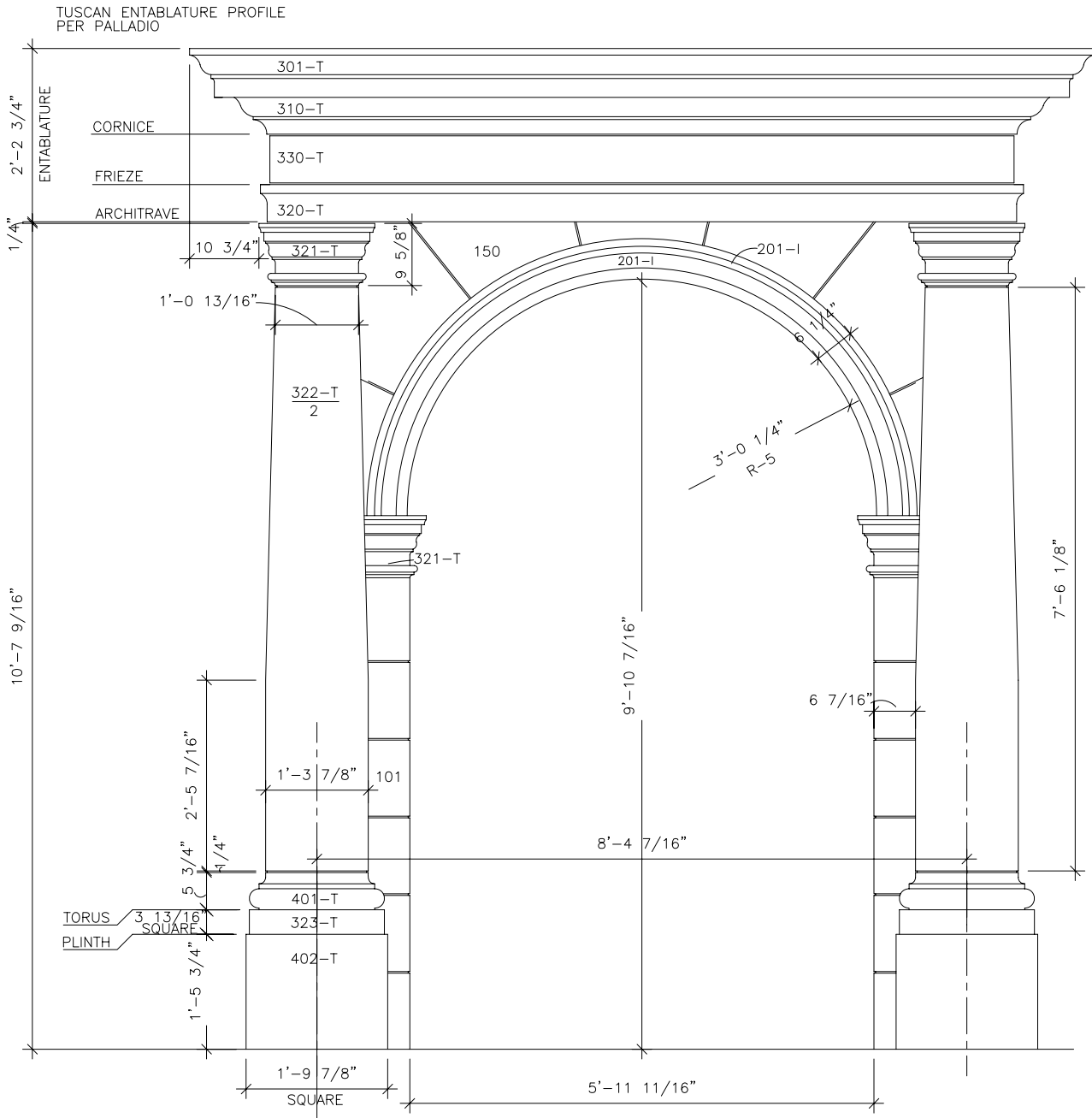
A TEXAS CORPORATION

1905 MARILLA, DALLAS, TX 75201

PHONE (214) 747-2636 FAX (214) 747-2639

TUSCAN ELEVATION

**1.1.1**



1

# TUSCAN COLUMN WITH ARCH AND ENTABLATURE

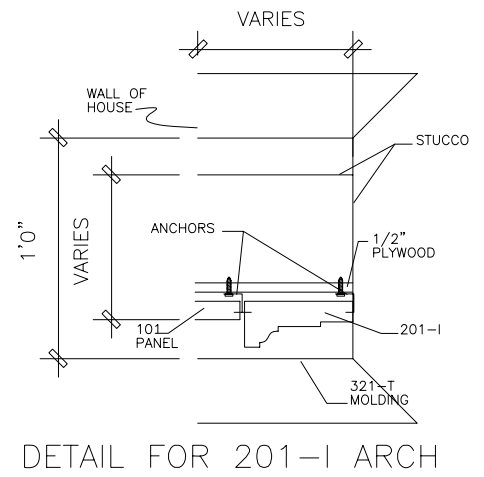
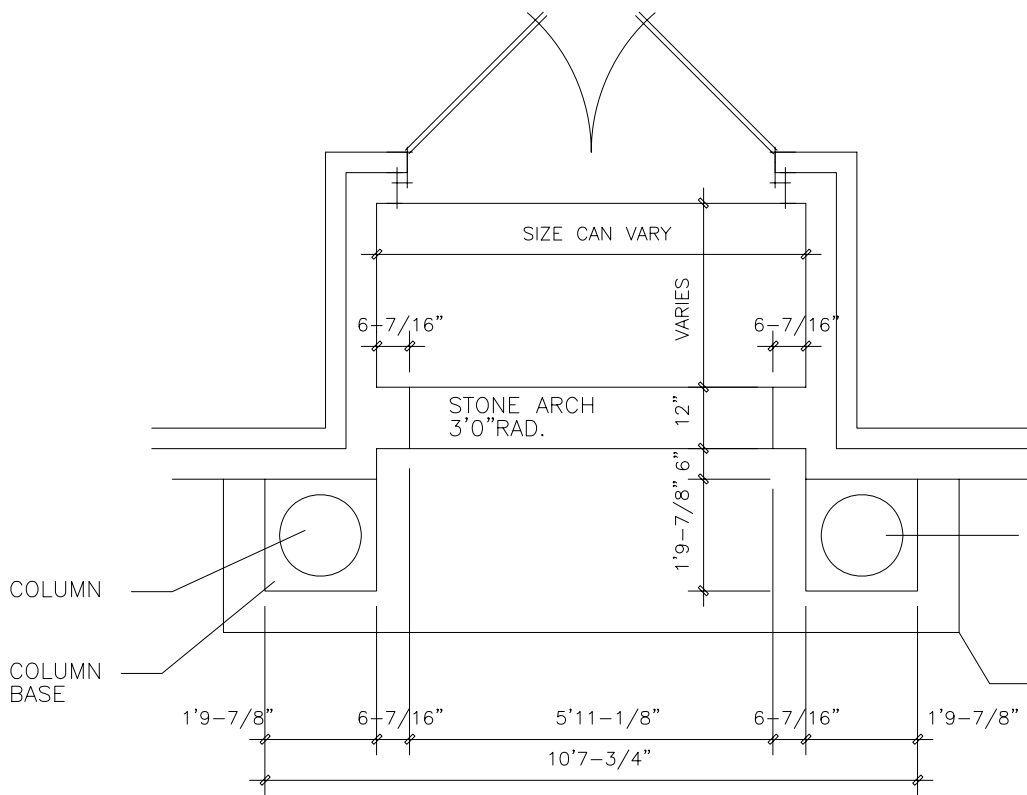
REFERENCE 1.1.3, 1.1.4, 1.1.5A AND 1.1.5B

(TOOLING IS AVAILABLE FOR OTHER COLUMN SIZES)

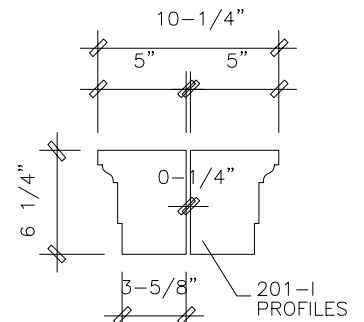
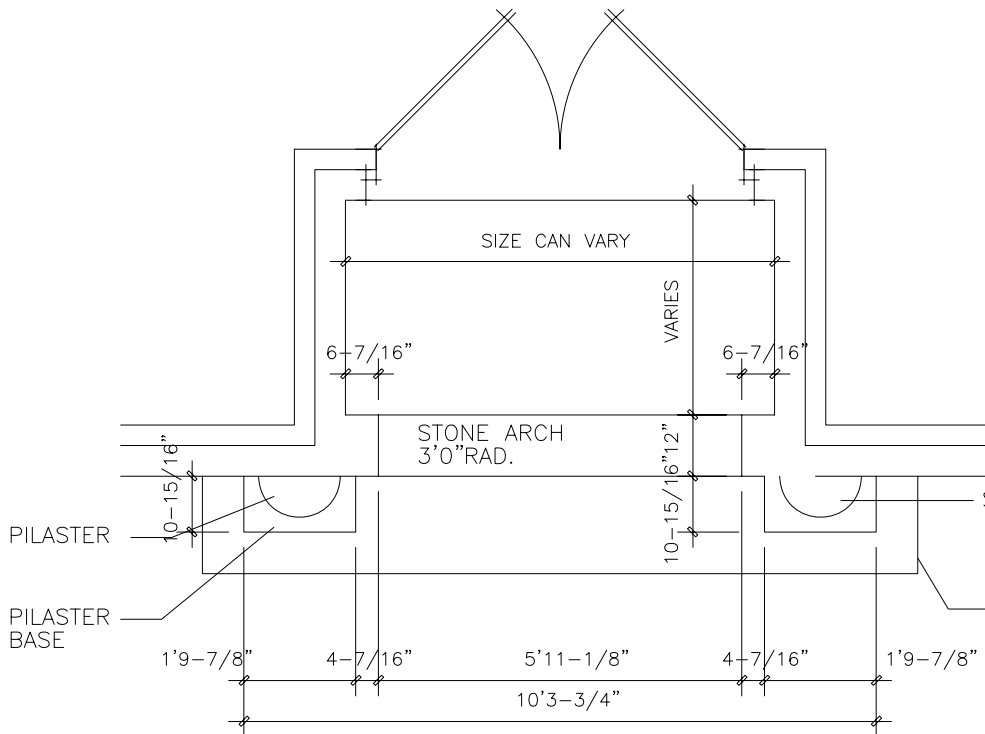
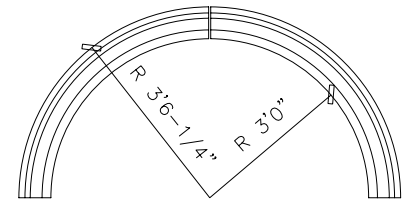
**AMERICAN LIMESTONE COMPANY**  
 A TEXAS CORPORATION  
 1905 MARILLA, DALLAS, TX 75201  
 PHONE (214) 747-2636 FAX (214) 747-2639

TUSCAN COLUMN WITH ARCH AND ENTABLATURE  
 THE ELEMENTS OF THIS ENTRY CAN BE PRICED AS A KIT  
 CONTACT ALC FOR DETAILS

**1.1.2**



1 PLAN VIEW OF COLUMN LOCATION  
 REFERENCE 1.1.3 FOR FRONT ELEVATION

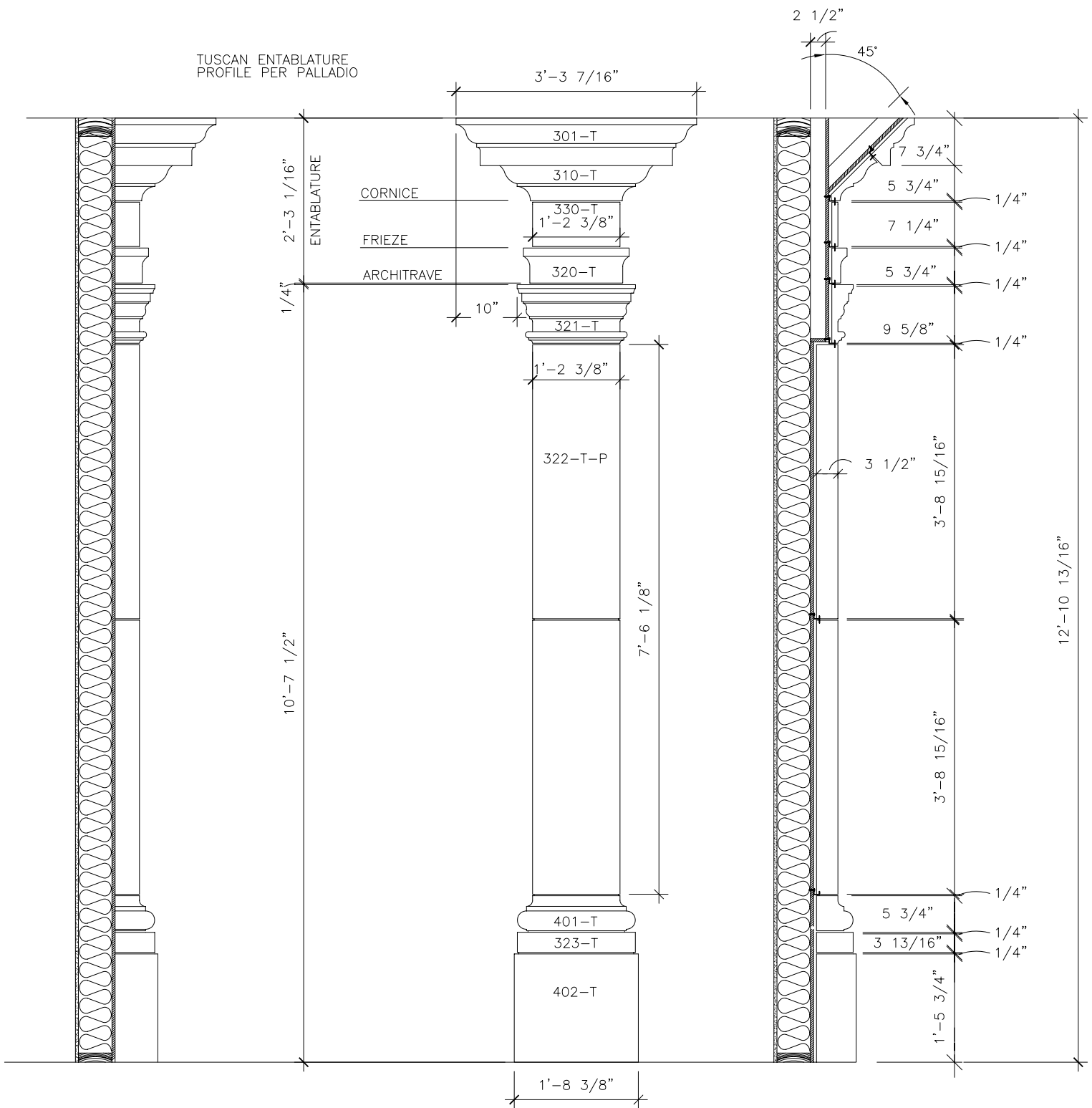


2 PLAN VIEW OF PILASTER LOCATION  
 REFERENCE 1.1.2 FOR FRONT ELEVATION

**AMERICAN LIMESTONE COMPANY**  
 A TEXAS CORPORATION  
 1905 MARILLA, DALLAS, TX 75201  
 PHONE (214) 747-2636 FAX (214) 747-2639

PLAN VIEW OF COLUMN AND PILASTER

1.1.3



1

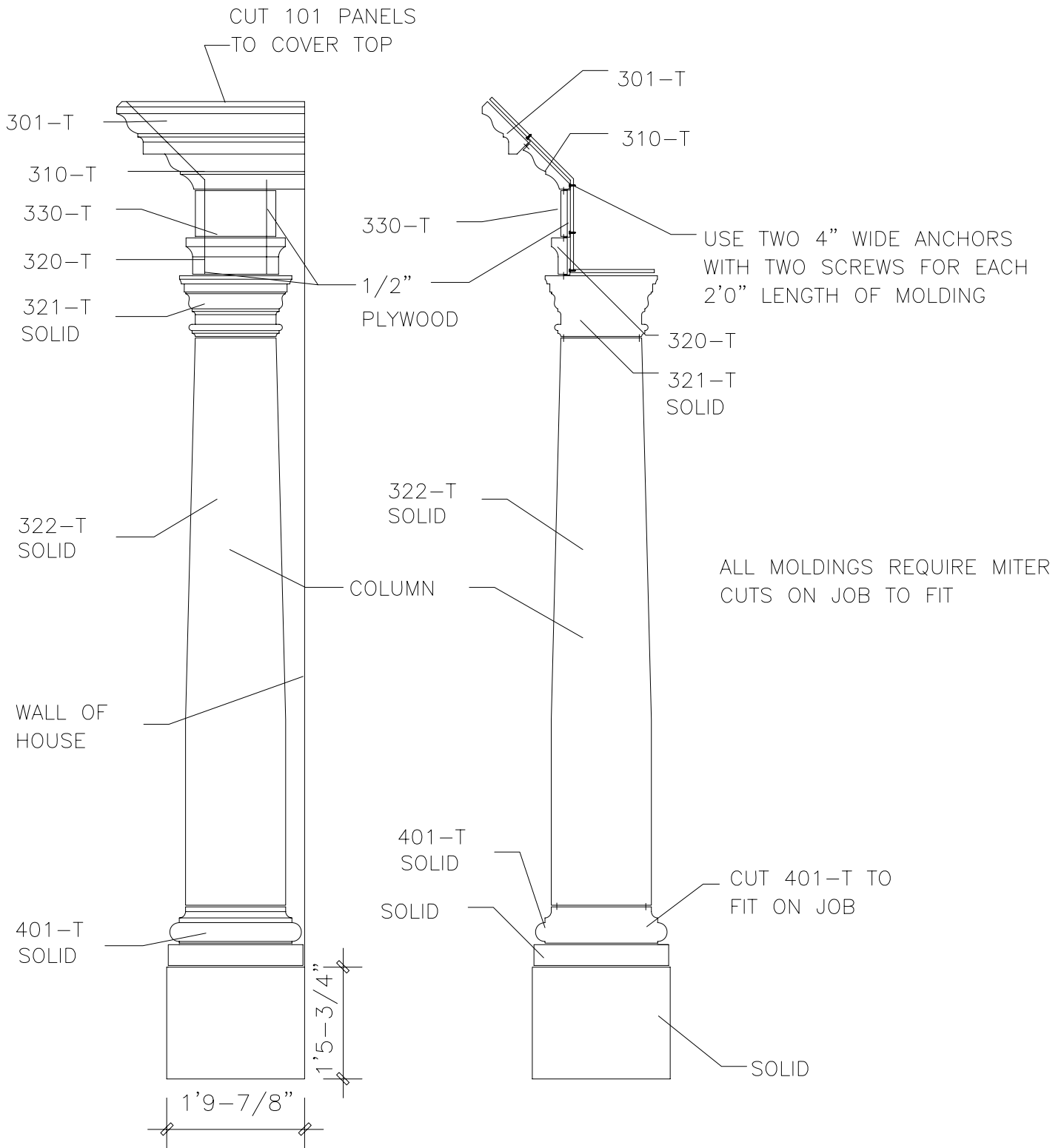
TUSCAN PILASTER

REFERENCE 1.1.2 FOR FRONT ELEVATION

**AMERICAN LIMESTONE COMPANY**  
 A TEXAS CORPORATION  
 1905 MARILLA, DALLAS, TX 75201  
 PHONE (214) 747-2636 FAX (214) 747-2639

TUSCAN PILASTER WITH PEDESTAL

1.1.4



1

SIDE VIEW OF TUSCAN COLUMN

REFERENCE 1.1.2 FOR FRONT ELEVATION

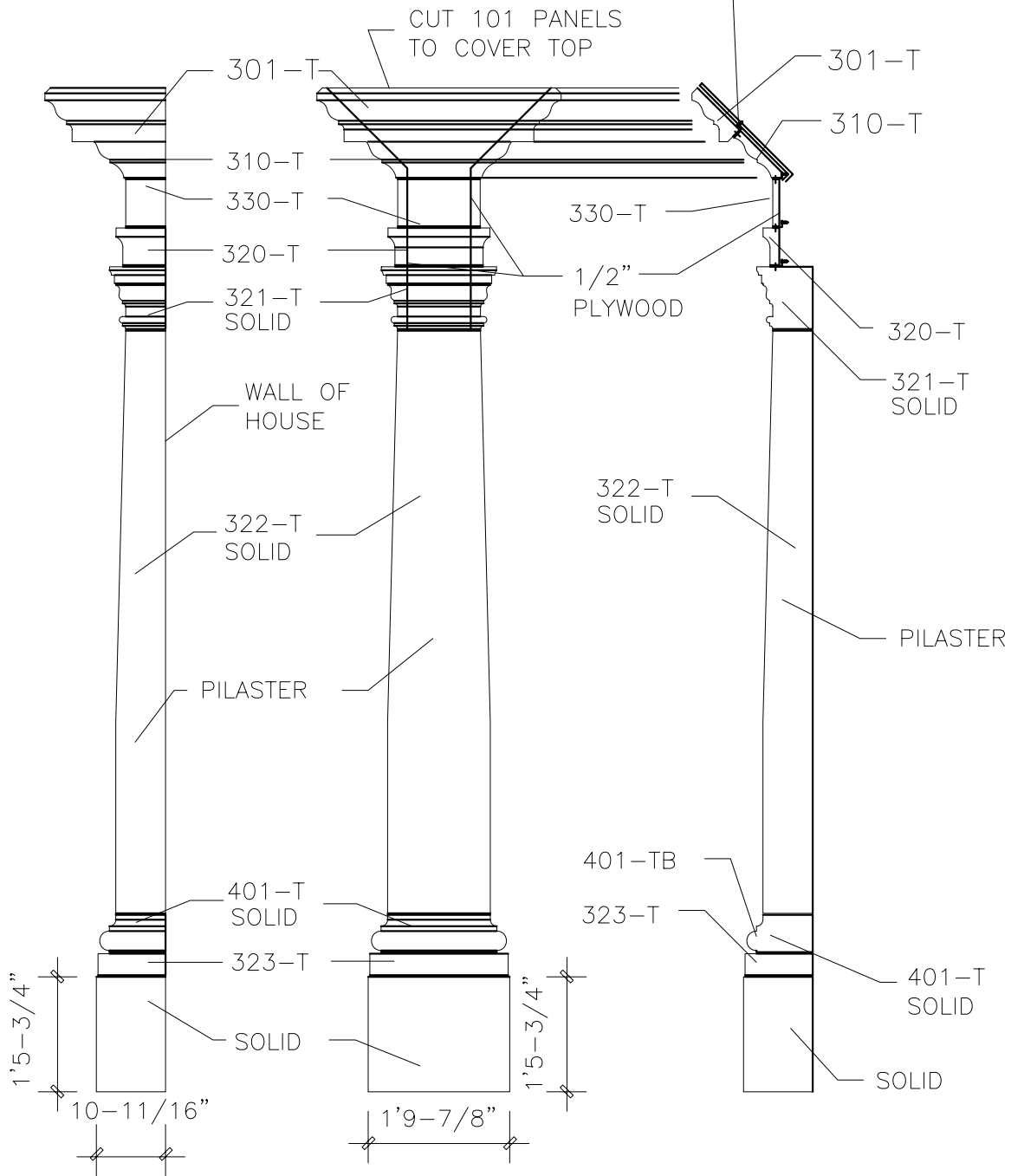
**AMERICAN LIMESTONE COMPANY**  
 A TEXAS CORPORATION  
 1905 MARILLA, DALLAS, TX 75201  
 PHONE (214) 747-2636 FAX (214) 747-2639

SIDE VIEW OF TUSCAN COLUMN

1.1.5A

USE TWO 4" ANCHORS  
WITH TWO SCREWS FOR EACH  
2'0" LENGTH OF MOLDING

ALL MOLDINGS  
REQUIRE MITER  
CUTS ON JOB TO FIT



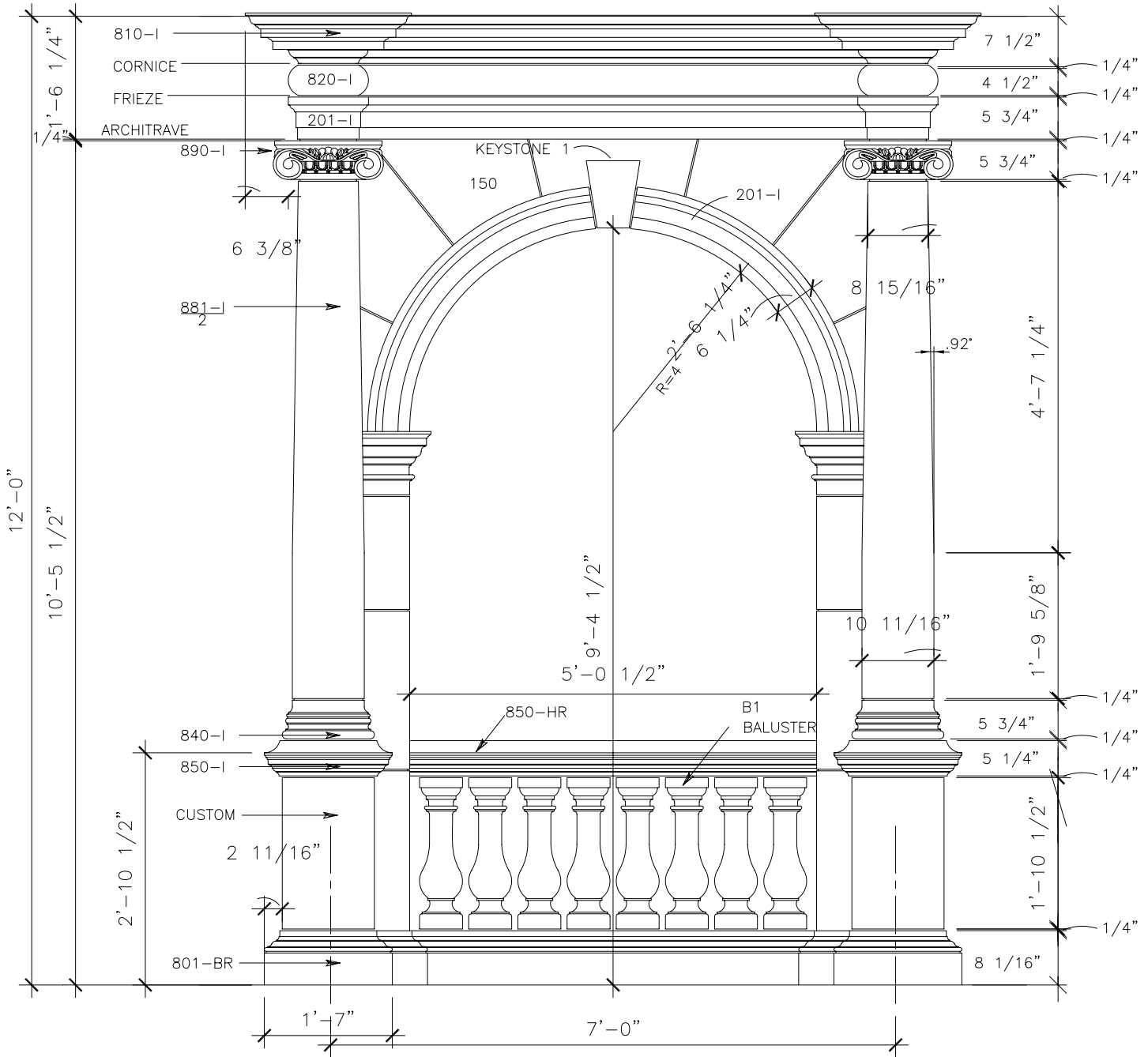
1 ELEVATIONS OF TUSCAN PILASTER  
REFERENCE 1.1.2 FOR FRONT ELEVATION

**AMERICAN LIMESTONE COMPANY**  
A TEXAS CORPORATION  
1905 MARILLA, DALLAS, TX 75201  
PHONE (214) 747-2636 FAX (214) 747-2639

ELEVATIONS OF TUSCAN PILASTER

1.1.5B

IONIC ENTABLATURE  
PROFILE PER PALLADIO



1

IONIC COLUMNS WITH BALUSTRADE AND ENTABLATURE

OTHER BALUSTER SIZES AND TYPES ARE AVAILABLE

AMERICAN LIMESTONE COMPANY

A TEXAS CORPORATION

1905 MARILLA, DALLAS, TX 75201

PHONE (214) 747-2636 FAX (214) 747-2639

IONIC COLUMNS WITH BALUSTRADE AND ENTABLATURE

THE ELEMENTS OF THIS ENTRY CAN BE PRICED AS A KIT  
CONTACT ALC FOR DETAILS

1.1.6



SCAMOZZI-TYPE FOUR-SIDED CAPITALS, OR GREEK AND ROMAN  
PARALLEL-SIDED CAPITALS WITH CARVED VOLUTES ARE AVAILABLE

**AMERICAN LIMESTONE COMPANY**

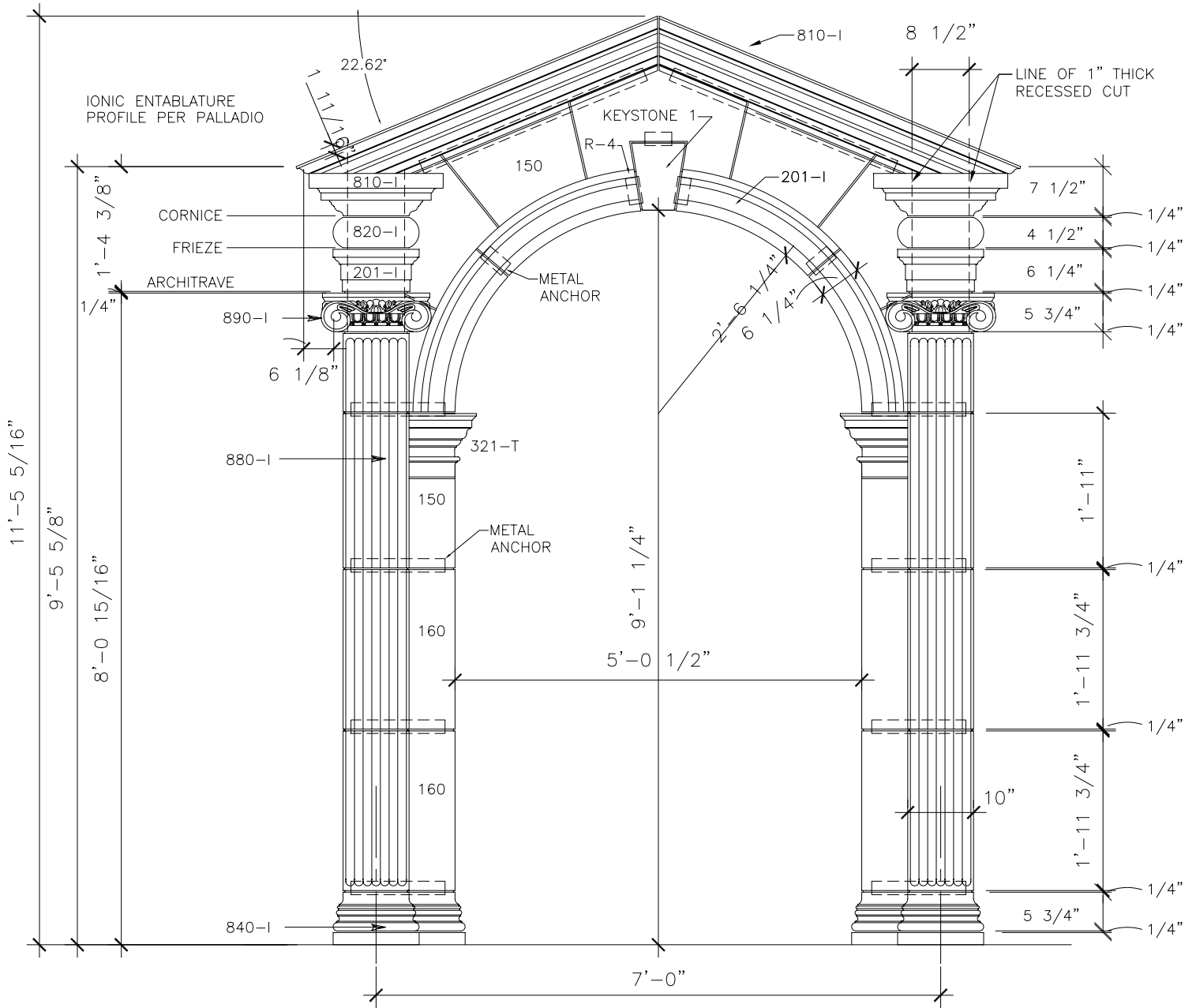
A TEXAS CORPORATION

1905 MARILLA, DALLAS, TX 75201

PHONE (214) 747-2636 FAX (214) 747-2639

©

PATENT PENDING

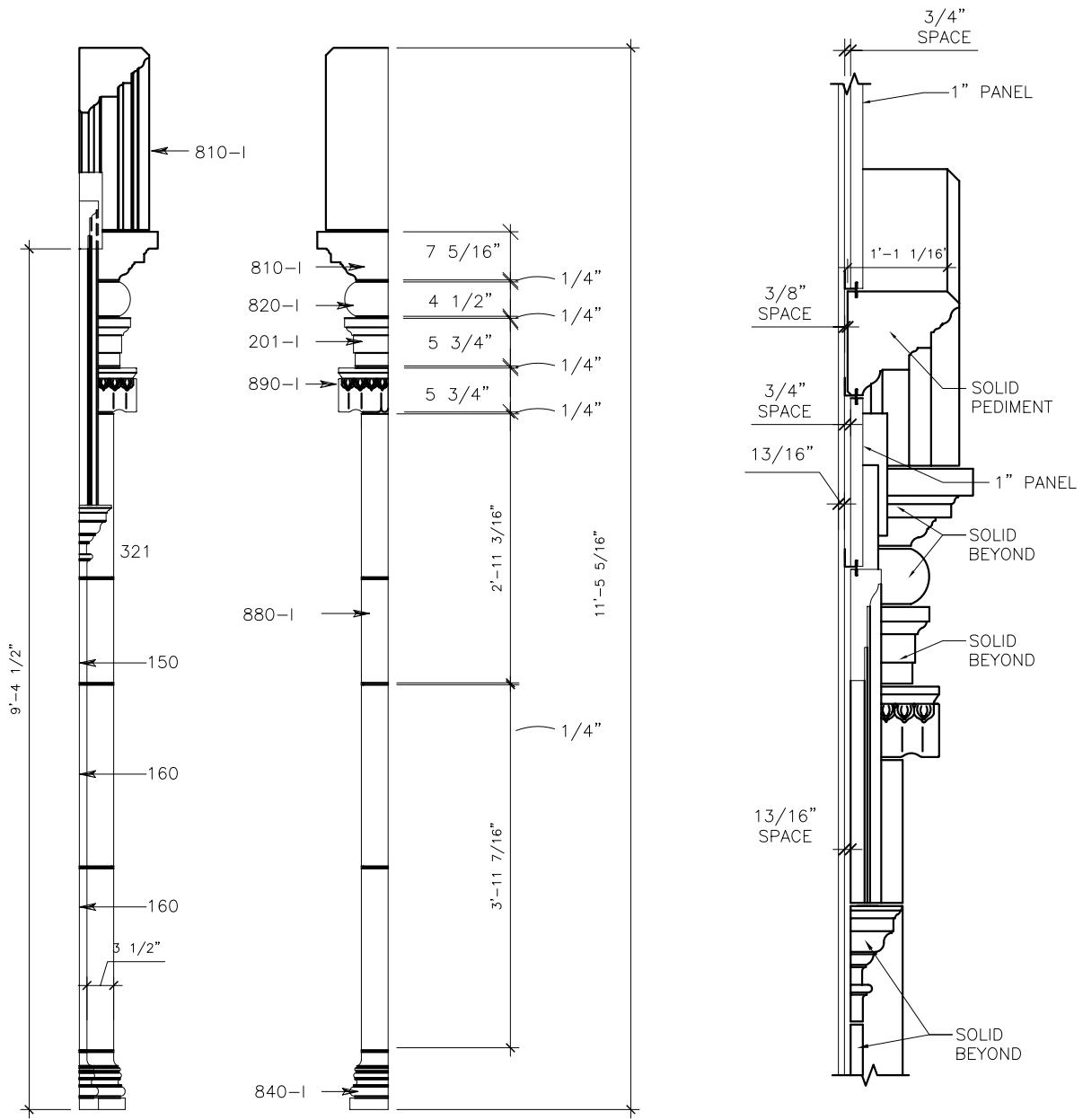


1 IONIC PILASTER WITH ARCH AND PEDIMENT

**AMERICAN LIMESTONE COMPANY**  
A TEXAS CORPORATION  
1905 MARILLA, DALLAS, TX 75201  
PHONE (214) 747-2636 FAX (214) 747-2639

IONIC PILASTER WITH ARCH AND PEDIMENT

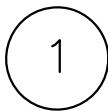
1.1.8



CROSS SECTION

EXTERIOR VIEW

ENLARGED SECTION



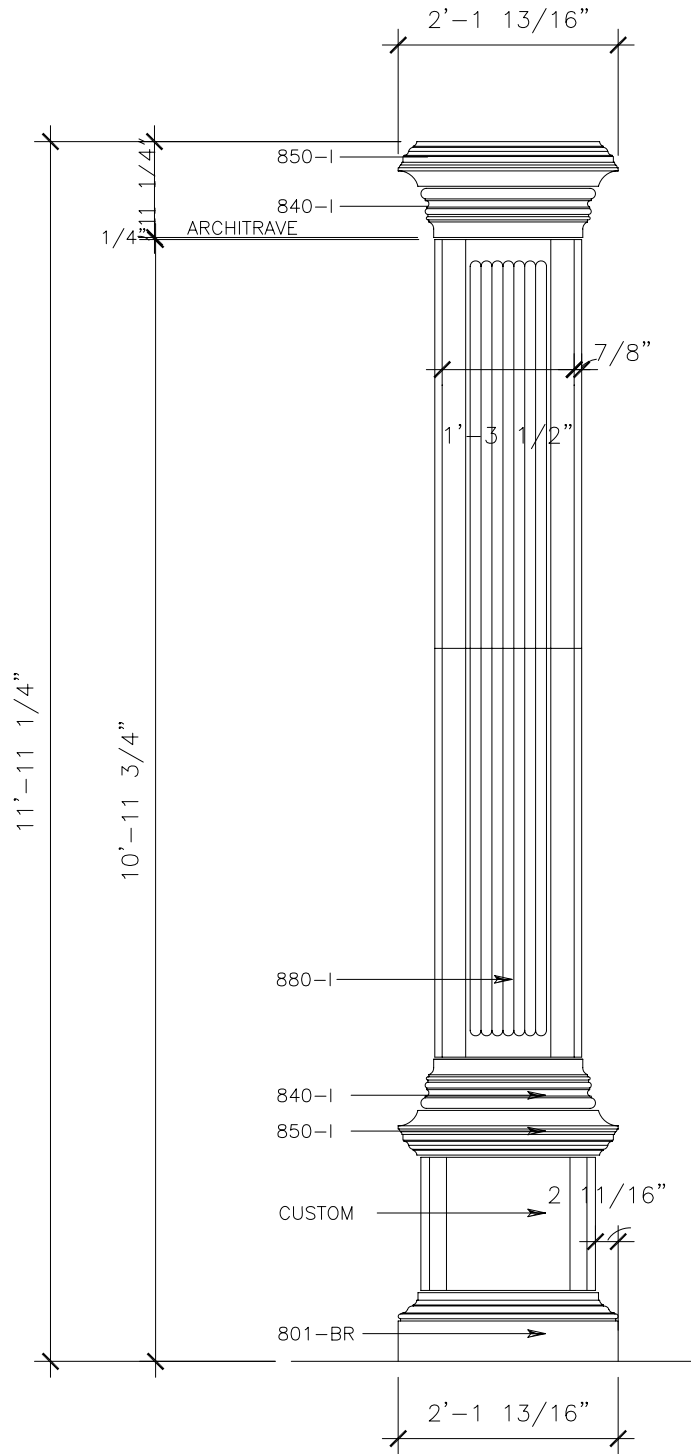
1 IONIC PILASTER WITH ARCH AND PEDIMENT

REFERENCE 1.1.8 FOR FRONT ELEVATION

**AMERICAN LIMESTONE COMPANY**  
 A TEXAS CORPORATION  
 1905 MARILLA, DALLAS, TX 75201  
 PHONE (214) 747-2636 FAX (214) 747-2639

IONIC PILASTER WITH CROSS SECTION & EXTERIOR VIEW

1.1.9



1 IONIC COLUMN - SQUARE

**AMERICAN LIMESTONE COMPANY**  
 A TEXAS CORPORATION  
 1905 MARILLA, DALLAS, TX 75201  
 PHONE (214) 747-2636 FAX (214) 747-2639

IONIC COLUMN - SQUARE

1.1.10