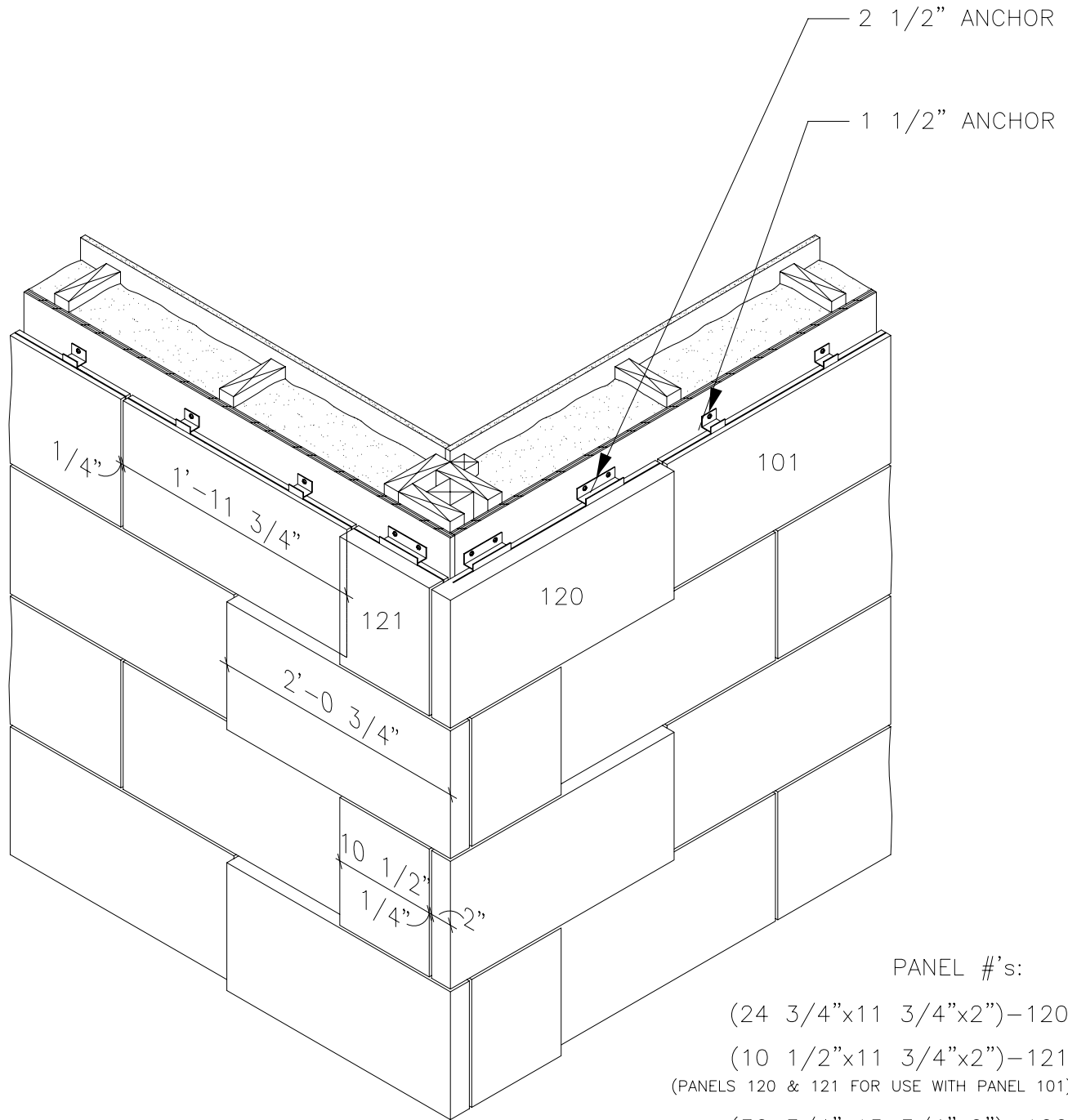


# CHAPTER 2. – STANDARD ELEMENTS

# QUOIN PANELS



- PANEL #'s:
- (24 3/4"x11 3/4"x2")-120
  - (10 1/2"x11 3/4"x2")-121
  - (PANELS 120 & 121 FOR USE WITH PANEL 101)
  - (32 3/4"x15 3/4"x2")-122
  - CUT IN FIELD (14 1/2"x15 3/4"x2")-123
  - (PANELS 122 & 123 FOR USE WITH PANEL 150)

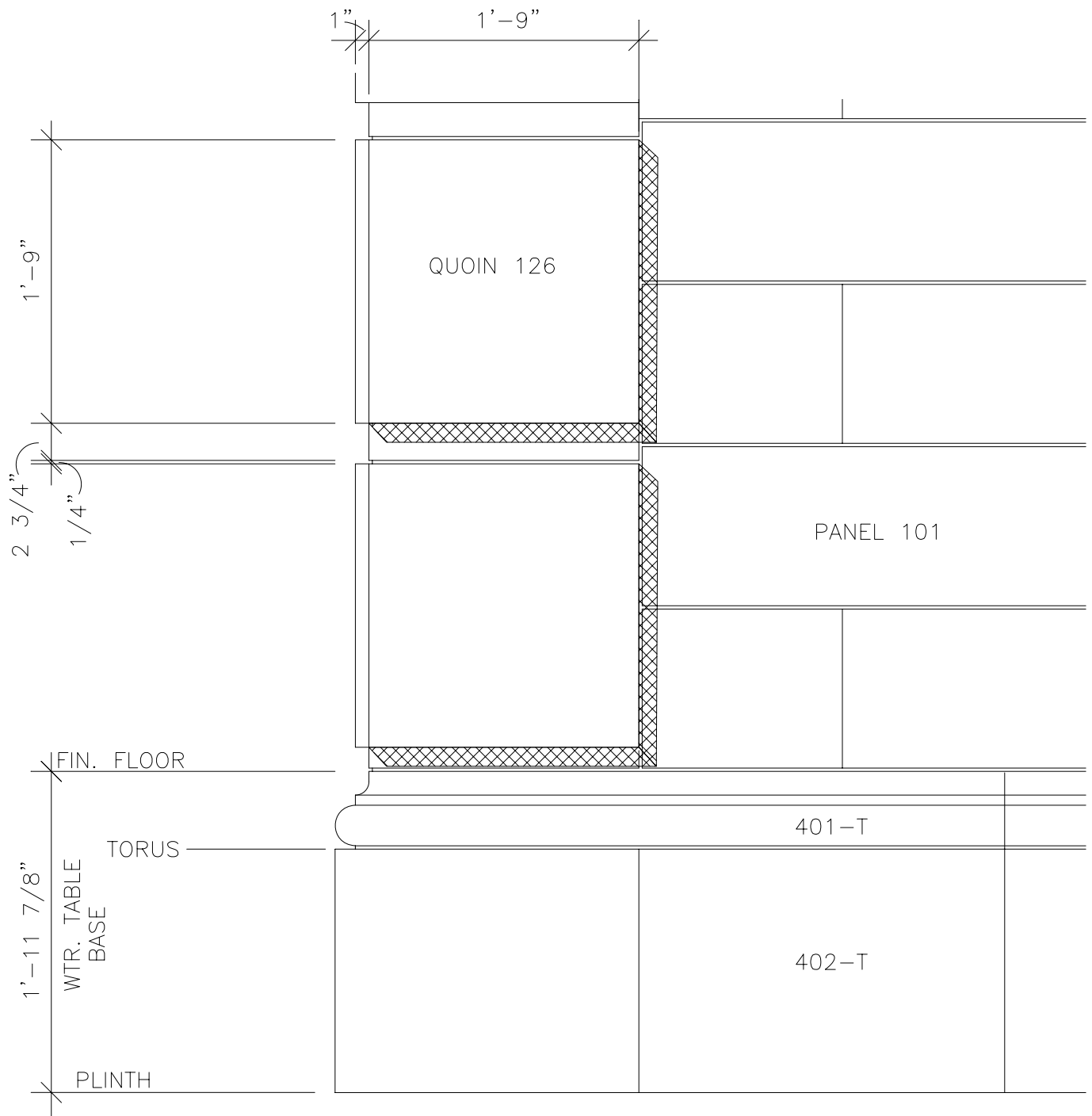
1 QUOINED CORNER DETAIL  
 REFERENCE 3.1.15

**AMERICAN LIMESTONE COMPANY**  
 A TEXAS CORPORATION  
 1905 MARILLA, DALLAS, TX 75201  
 PHONE (214) 747-2636 FAX (214) 747-2639

QUOINED CORNER DETAIL - 120, 121, 122 & 123

**2.1.1**





1

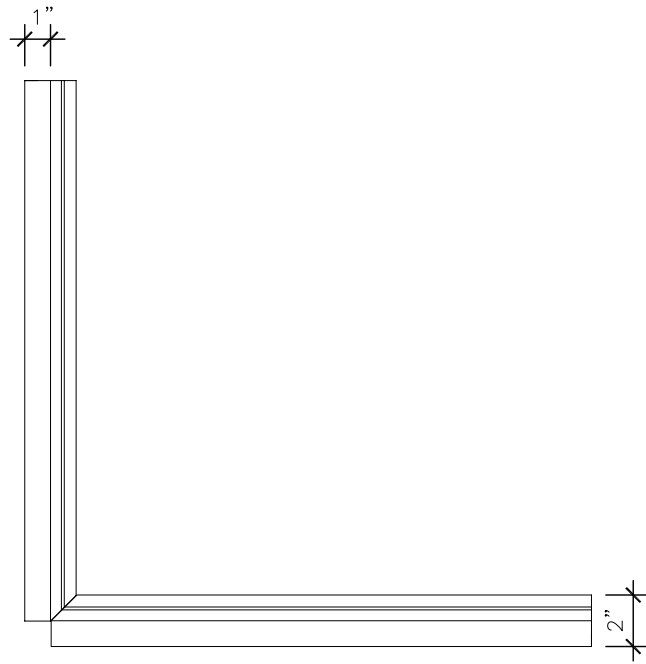
TUSCAN ELEVATION – 126 QUOIN

REFERENCE 3.1.16, 3.1.17, 3.1.27

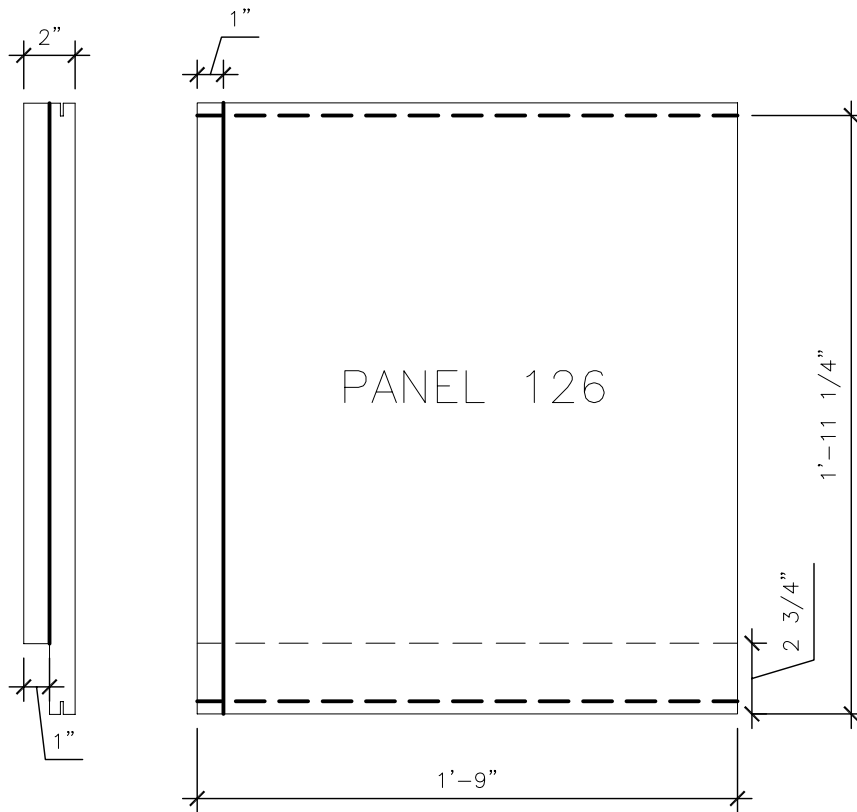
**AMERICAN LIMESTONE COMPANY**  
 A TEXAS CORPORATION  
 1905 MARILLA, DALLAS, TX 75201  
 PHONE (214) 747-2636 FAX (214) 747-2639

TUSCAN ELEVATION – 126 QUOIN

2.1.2



1 QUOIN 126 — PLAN

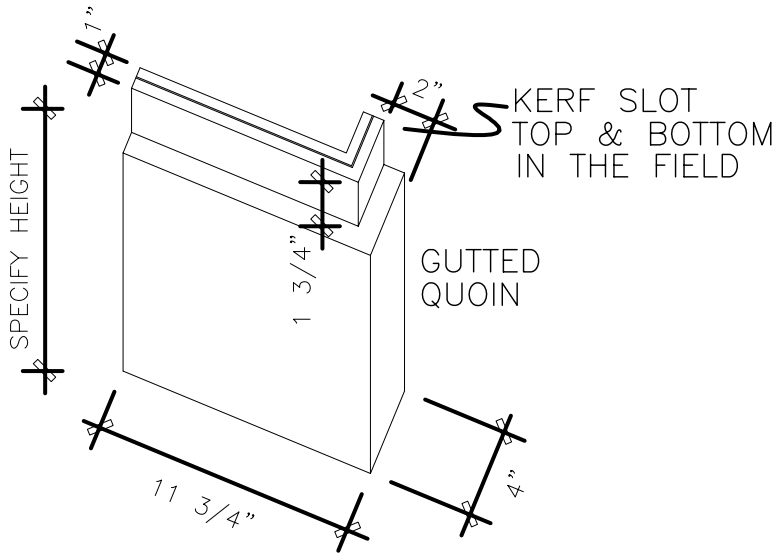


2 LIMESTONE QUOIN — FACE  
REFERENCE 2.1.2, 3.1.16, 3.1.17

**AMERICAN LIMESTONE COMPANY**  
A TEXAS CORPORATION  
1905 MARILLA, DALLAS, TX 75201  
PHONE (214) 747-2636 FAX (214) 747-2639

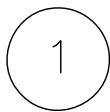
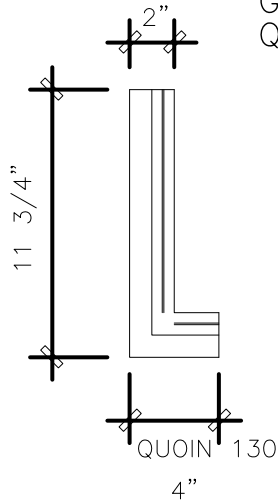
QUOIN 126 — 1'-9" x 1'-9" (NOMINAL)

**2.1.3**



HEIGHTS AVAILABLE  
THOSE OF PANELS  
101, 150 & 160

STANDARD  
GUTTED  
QUOINS



GUTTED QUOIN 130

ANCHOR SLOTS FIELD CUT

AMERICAN LIMESTONE COMPANY

A TEXAS CORPORATION

1905 MARILLA, DALLAS, TX 75201

PHONE (214) 747-2636 FAX (214) 747-2639

GUTTED QUOIN 130

SPECIFY HEIGHT WHEN ORDERING  
SCALE: NTS

2.1.4