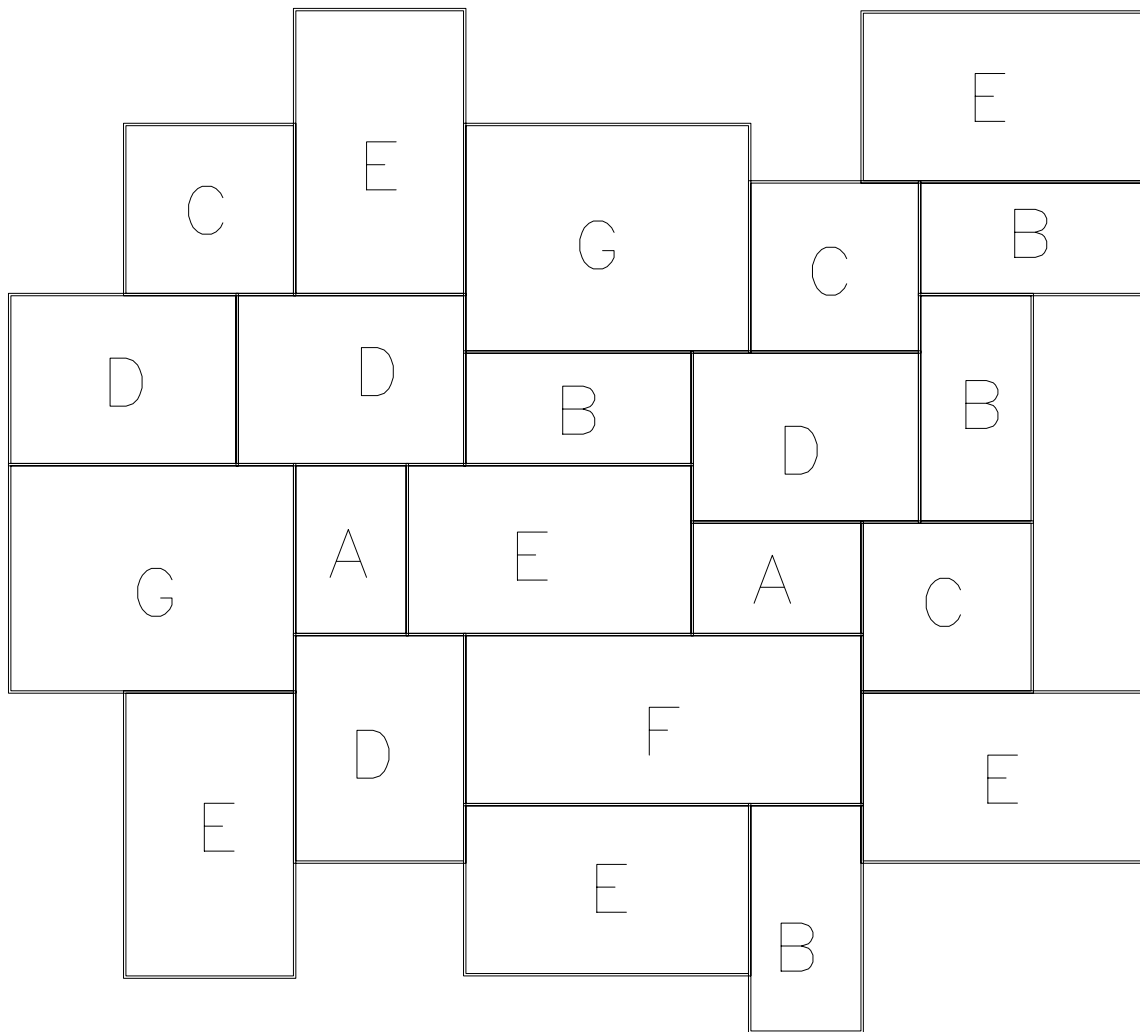


CLADDING/STANDARD PANELS



DIMENSIONS

ALL PANELS ARE 1" THICK – 1/4" JOINT

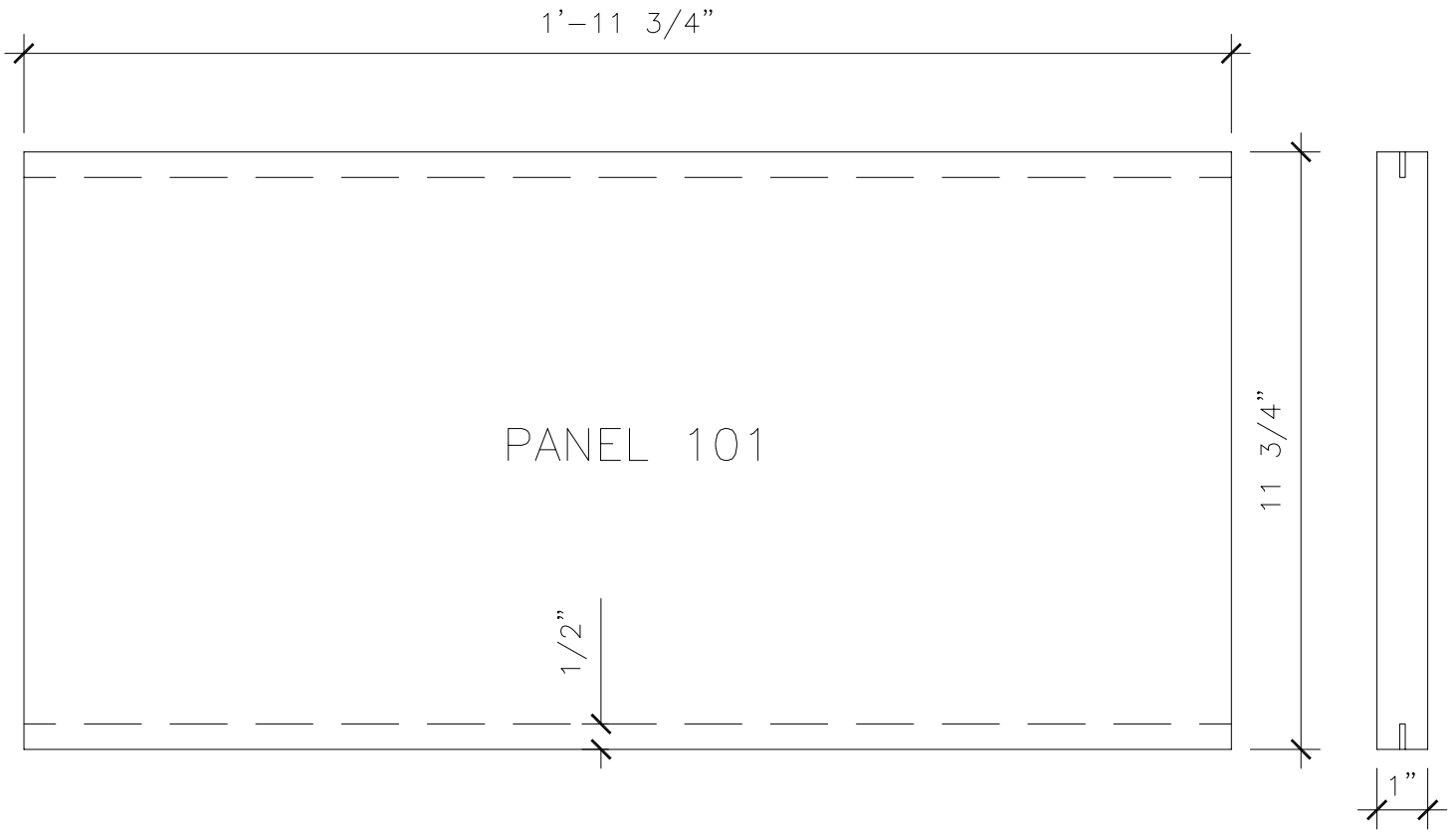
	LENGTH	WIDTH		LENGTH	WIDTH
180-A	1'-1 1/8"	8 5/8"	180-E	1'-10 1/8"	1'-1 1/8"
180-B	1'-5 5/8"	8 5/8"	180-F	2'-6 15/16"	1'-1 1/8"
180-C	1'-1 1/8"	1'-1 1/8"	180-G	1'-10 1/8"	1'-5 5/8"
180-D	1'-5 5/8"	1'-1 1/8"			

1 CHATEAU PATTERN WALL DESIGN USING PANELS 180-A THRU 180-G

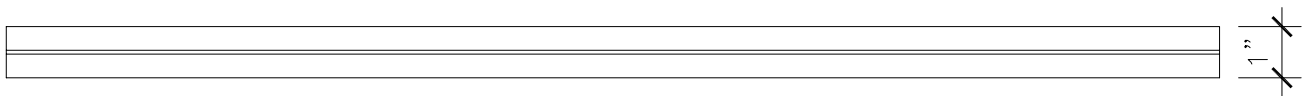
AMERICAN LIMESTONE COMPANY
A TEXAS CORPORATION
1905 MARILLA, DALLAS, TX 75201
PHONE (214) 747-2636 FAX (214) 747-2639

CHATEAU PATTERN WALL DESIGN – PANELS 180-A TO 180-G

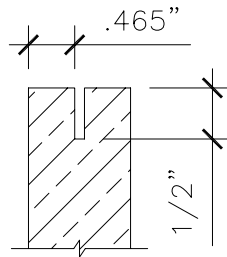
2.6.1



1 PANEL 101 - FACE



2 PANEL 101 - EDGE



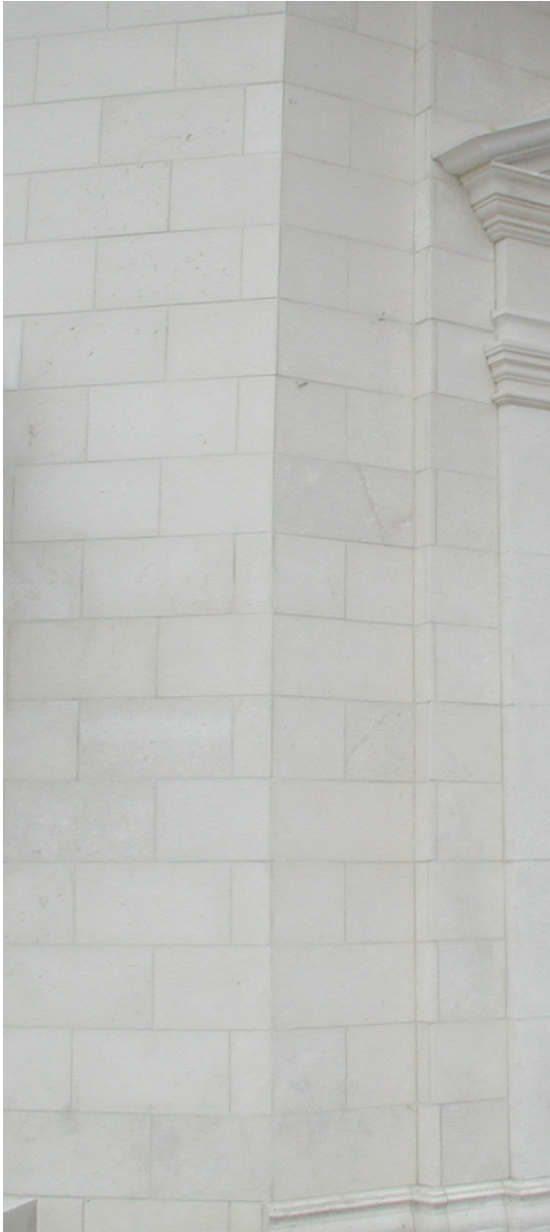
3 DETAIL - ANCHOR SLOT

AMERICAN LIMESTONE COMPANY
 A TEXAS CORPORATION
 1905 MARILLA, DALLAS, TX 75201
 PHONE (214) 747-2636 FAX (214) 747-2639

PANEL 101 - 24"x12" (NOMINAL)

SCALE: NTS

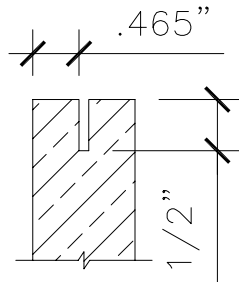
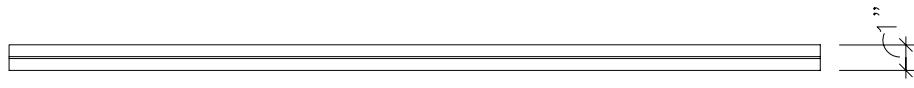
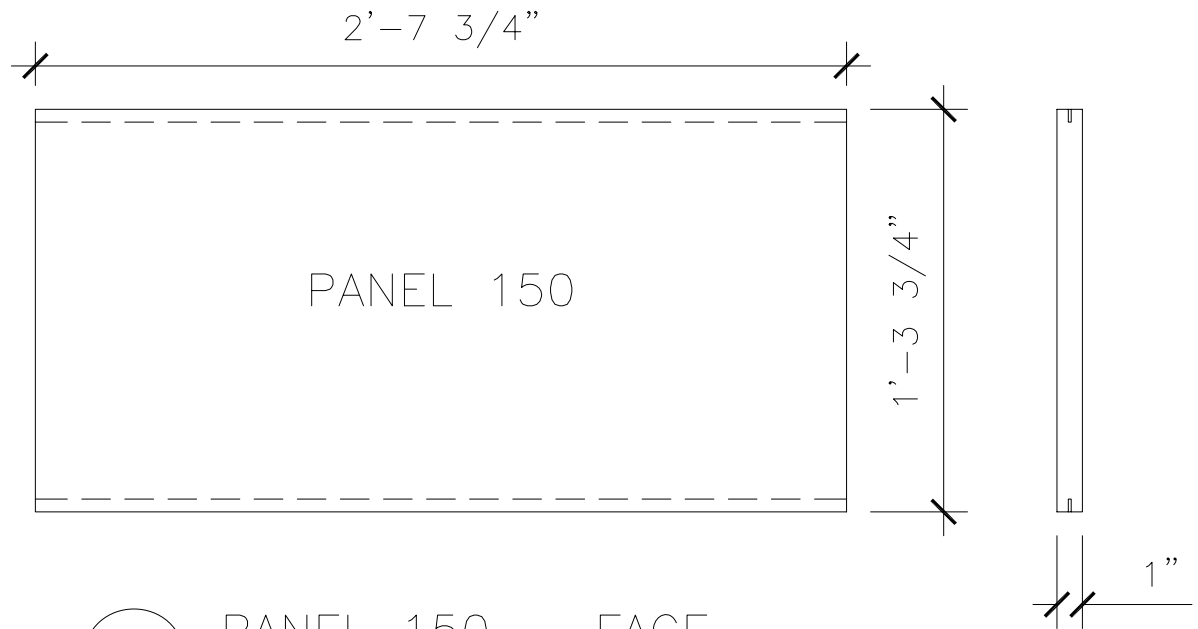
2.6.2



Panel 101
(See p. 2.6.2 of
ALC Solution Manual)



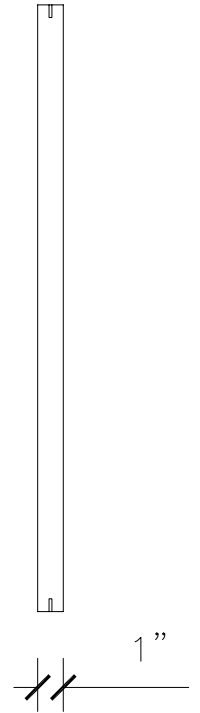
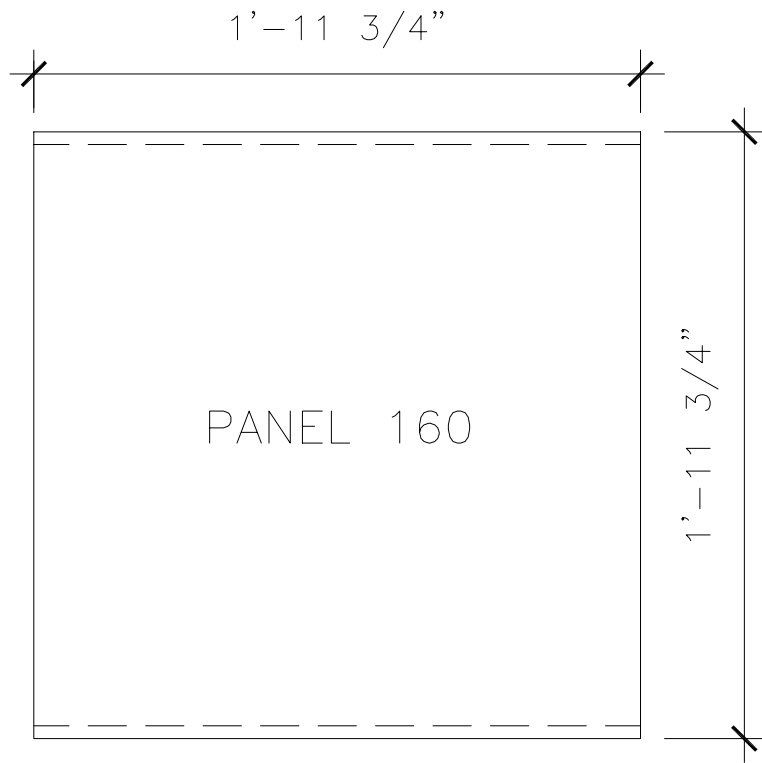
Panel 150
(See p. 2.6.3 of
ALC Solution Manual)



AMERICAN LIMESTONE COMPANY
 A TEXAS CORPORATION
 1905 MARILLA, DALLAS, TX 75201
 PHONE (214) 747-2636 FAX (214) 747-2639

PANEL 150 - 32"x16" (NOMINAL)
 SCALE: NTS

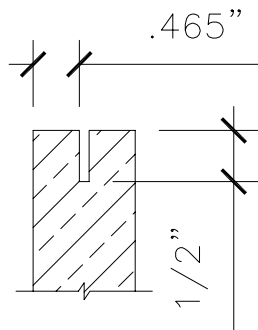
2.6.3



1 PANEL 160 - FACE



2 PANEL 160 - EDGE



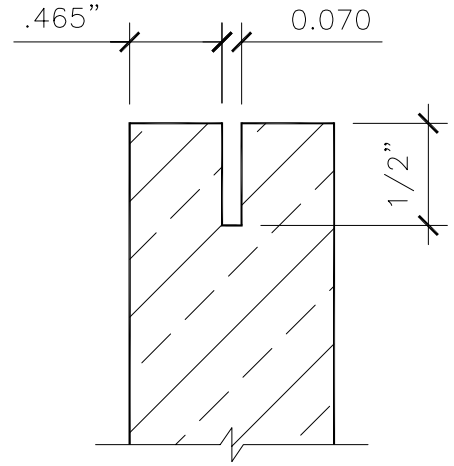
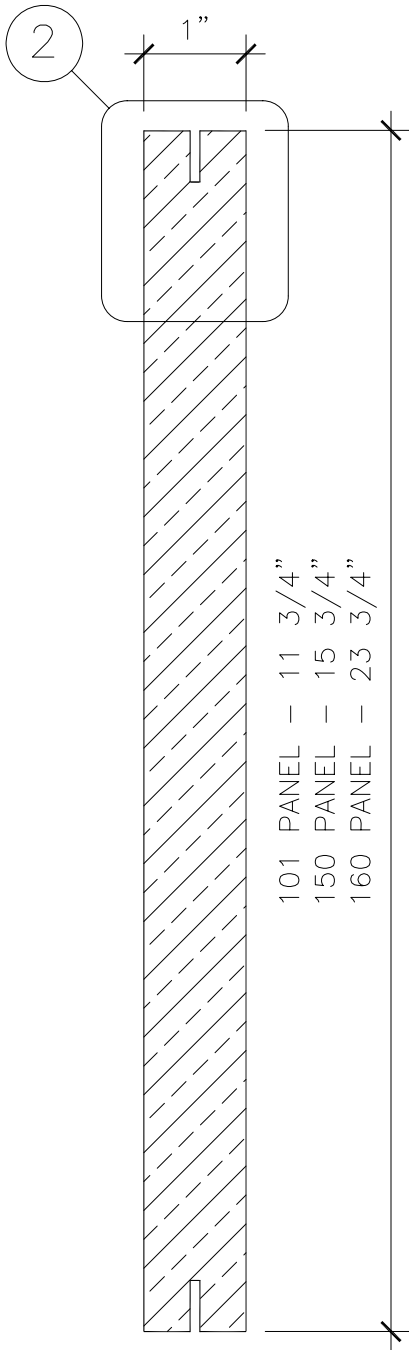
3 DETAIL-ANCHOR SLOT

AMERICAN LIMESTONE COMPANY
 A TEXAS CORPORATION
 1905 MARILLA, DALLAS, TX 75201
 PHONE (214) 747-2636 FAX (214) 747-2639

PANEL 160 - 24"x24" (NOMINAL)

SCALE: NTS

2.6.4



2 DETAIL-ANCHOR SLOT

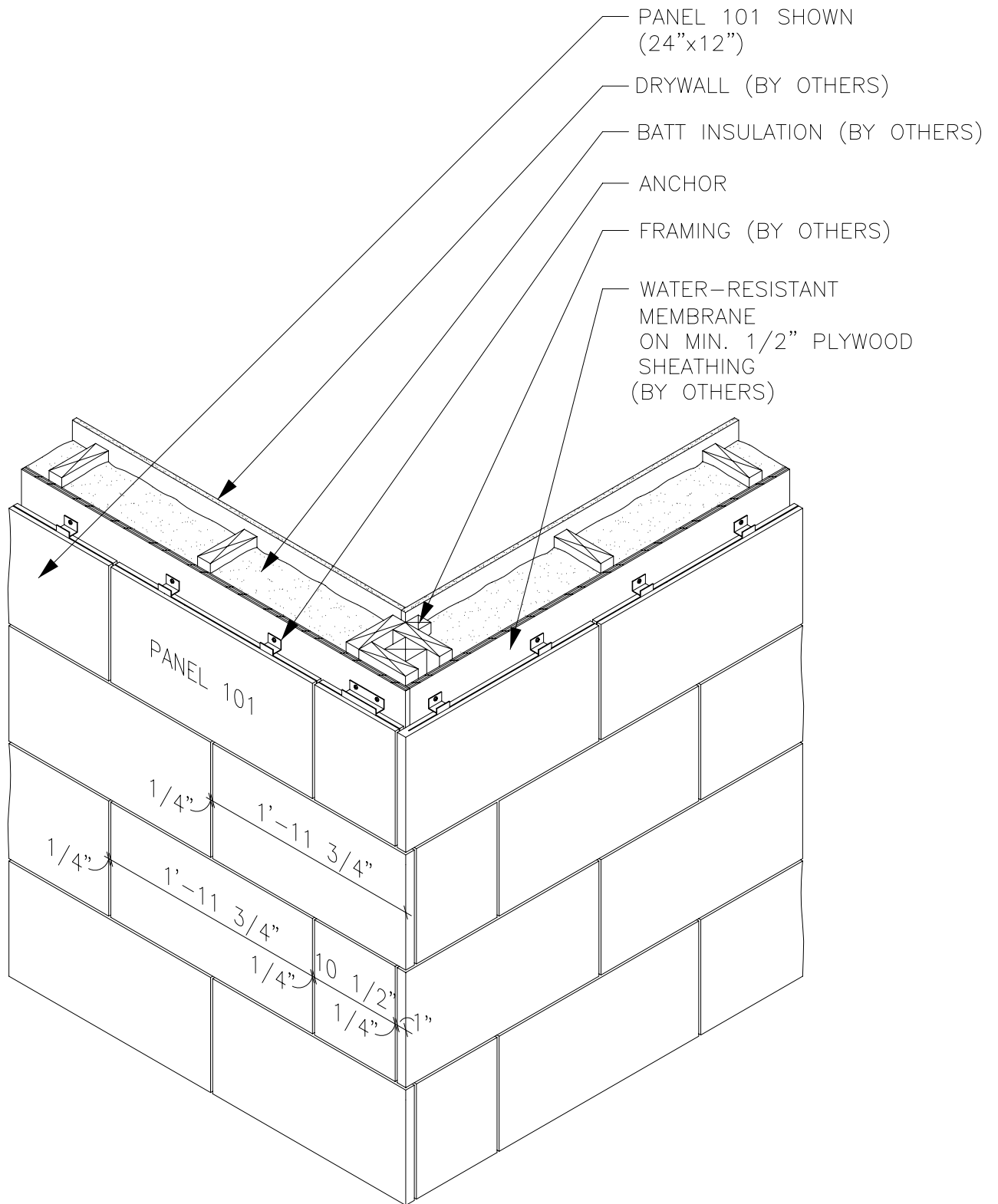
1 SECTION THROUGH PANELS 101, 150 & 160

AMERICAN LIMESTONE COMPANY
 A TEXAS CORPORATION
 1905 MARILLA, DALLAS, TX 75201
 PHONE (214) 747-2636 FAX (214) 747-2639

PANEL SECTION - PANELS 101, 150, 160

SCALE: NTS

2.6.5

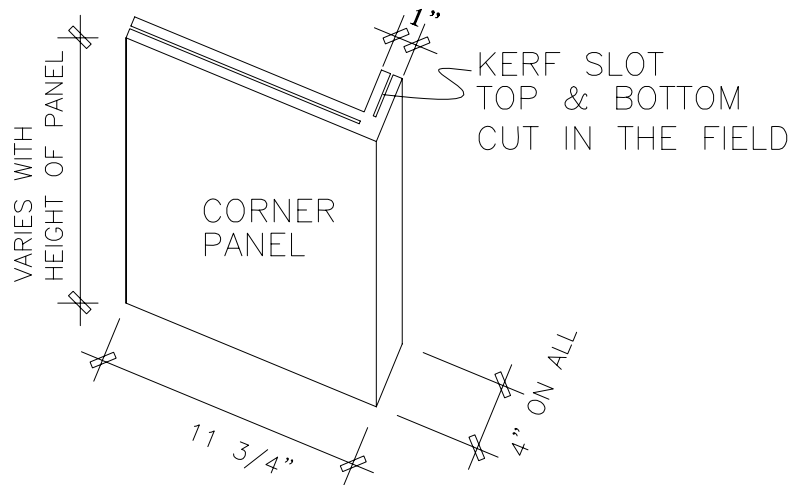


1 PERSPECTIVE OF STANDARD CORNER DETAIL
PANEL 101 SHOWN

AMERICAN LIMESTONE COMPANY
A TEXAS CORPORATION
1905 MARILLA, DALLAS, TX 75201
PHONE (214) 747-2636 FAX (214) 747-2639

PERSPECTIVE OF STANDARD CORNER DETAIL – PANEL 101 SHOWN

2.6.6



STANDARD HEIGHTS

101C - 11 3/4"

150C - 1'-3 3/4"

160C - 1'-11 3/4"

1

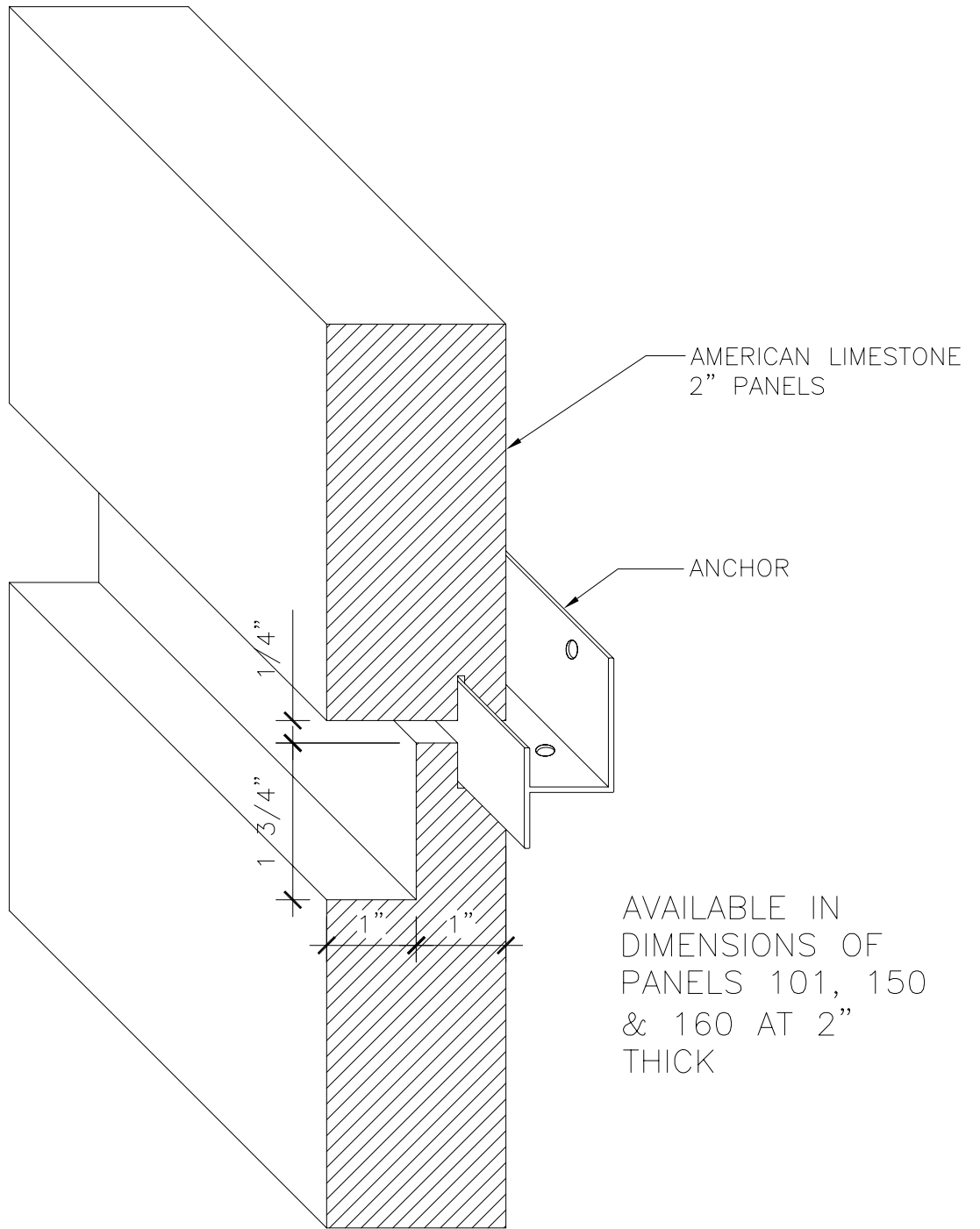
CORNER PANEL 101C, 150C & 160C - DETAIL

AMERICAN LIMESTONE COMPANY
 A TEXAS CORPORATION
 1905 MARILLA, DALLAS, TX 75201
 PHONE (214) 747-2636 FAX (214) 747-2639

CORNER PANEL 101C, 150C & 160C - DETAIL

SPECIFY HEIGHT WHEN ORDERING
 SCALE: NTS

2.6.7



AVAILABLE IN
DIMENSIONS OF
PANELS 101, 150
& 160 AT 2"
THICK

1 RUSTICATED PANEL DETAIL INTERIOR/EXTERIOR

AMERICAN LIMESTONE COMPANY
A TEXAS CORPORATION
1905 MARILLA, DALLAS, TX 75201
PHONE (214) 747-2636 FAX (214) 747-2639

RUSTICATED PANEL DETAIL INTERIOR/EXTERIOR

SCALE: NTS

2.6.8

SPLIT-FACE AND ROUGHBACK CLADDING

STANDARD 3" PANELS FOR CONVENTIONAL INSTALLATION

	INCHES			SQUARE FT. FACE AREA+	WEIGHT PER STONE (LBS.)+
	HEIGHT	LENGTH	BED		
90-3*	3 3/4	23 3/4	3	0.67	25#
91-3**	7 3/4	23 3/4	3	1.33	50#
101-3**	11 3/4	23 3/4	3	2.00	75#
150-3**	15 3/4	31 3/4	3	3.56	135#
151-3**	15 3/4	15 3/4	3	1.78	67#

+ TO BE VERIFIED

* ALSO AVAILABLE IN LENGTHS UP TO 30"

** ALSO AVAILABLE IN LENGTHS UP TO 60"

NOTE:

WHEN ORDERING, PLEASE SPECIFY STONE AND FINISH
ALL PANELS HAVE A SAWN FINISH ON 5 SIDES

AMERICAN LIMESTONE COMPANY
A TEXAS CORPORATION
1905 MARILLA, DALLAS, TX 75201
PHONE (214) 747-2636 FAX (214) 747-2639

SPLIT-FACE & ROUGHBACK PANELS - 3"

2.6.9



SPLIT-FACE AND ROUGHBACK CLADDING

STANDARD 2" PANELS FOR INSTALLATION WITH ALC SOLUTION ANCHORS

OUR 2" SPLIT-FACE PANELS ARE DESIGNED FOR USE WITH THE ALC SOLUTION INSTALLTION SYSTEM. THEY MAYBE COMBINED WITH BRICK OR OUR STANDARD 1" PANELS BY EMPLOYING EXTENDED ANCHORS TO BRING THE DIFFERENT ELEMENTS FLUSH WITH ONE ANOTHER.

	INCHES			SQUARE FT.	WEIGHT
	HEIGHT	LENGTH	BED	FACE AREA+	PER STONE (LBS.)+
90-2*	3 3/4	23 3/4	2	0.67	16
91-2**	7 3/4	23 3/4	2	1.33	33
101-2**	11 3/4	23 3/4	2	2.00	49
150-2**	15 3/4	31 3/4	2	3.56	88
151-2**	15 3/4	15 3/4	2	1.78	44

+ TO BE VERIFIED

* ALSO AVAILABLE IN LENGTHS UP TO 30"

** ALSO AVAILABLE IN LENGTHS UP TO 60"

NOTE:

WHEN ORDERING, PLEASE SPECIFY STONE AND FINISH
ALL PANELS HAVE A SAWN FINISH ON 5 SIDES

MERICAN LIMESTONE COMPANY
A TEXAS CORPORATION
1905 MARILLA, DALLAS, TX 75201
PHONE (214) 747-2636 FAX (214) 747-2639

SPLIT-FACE & ROUGHBACK PANELS - 2"

2.6.10