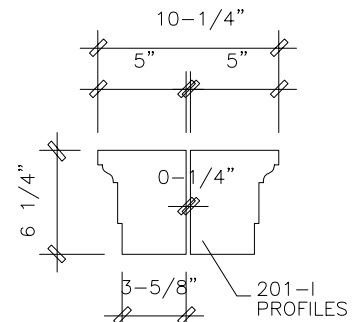
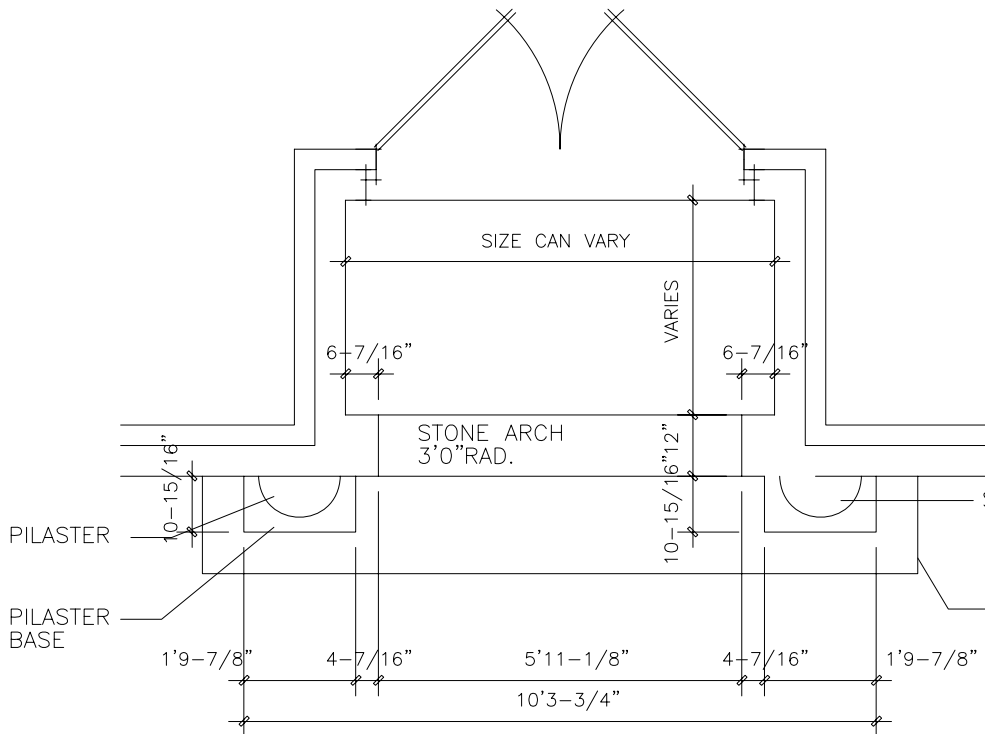
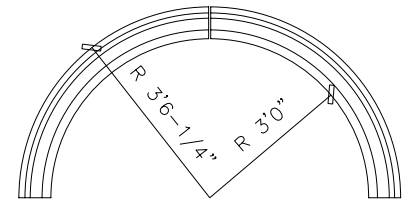


SEE 1.1.5A

LINE OF MOLDING ABOVE

1 PLAN VIEW OF COLUMN LOCATION
REFERENCE 1.1.3 FOR FRONT ELEVATION



OPT. 201-I ARCH

SEE 1.1.5B

LINE OF MOLDING ABOVE

2 PLAN VIEW OF PILASTER LOCATION
REFERENCE 1.1.2 FOR FRONT ELEVATION

AMERICAN LIMESTONE COMPANY
A TEXAS CORPORATION
1905 MARILLA, DALLAS, TX 75201
PHONE (214) 747-2636 FAX (214) 747-2639

PLAN VIEW OF COLUMN AND PILASTER

1.1.3