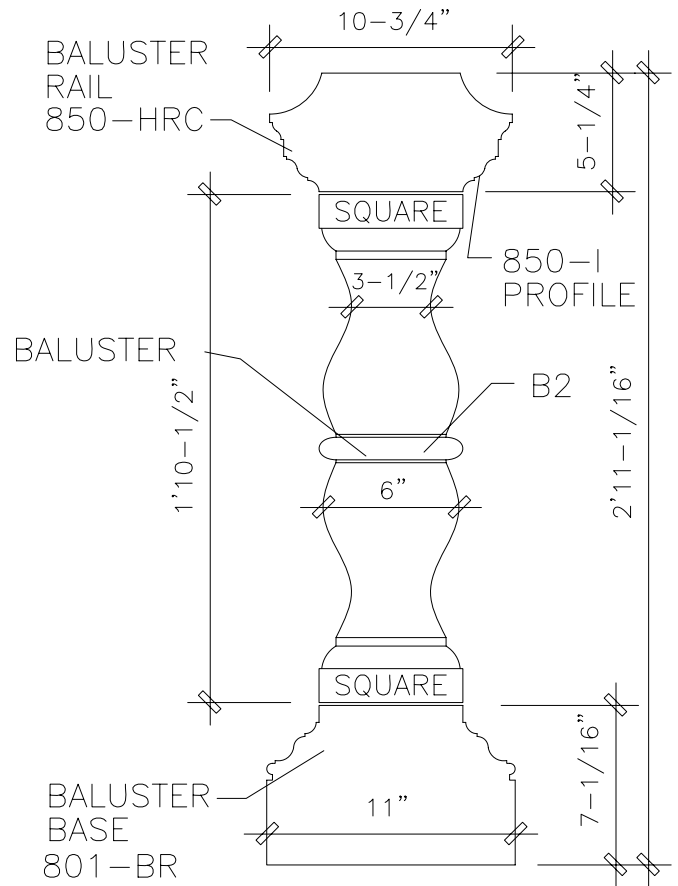
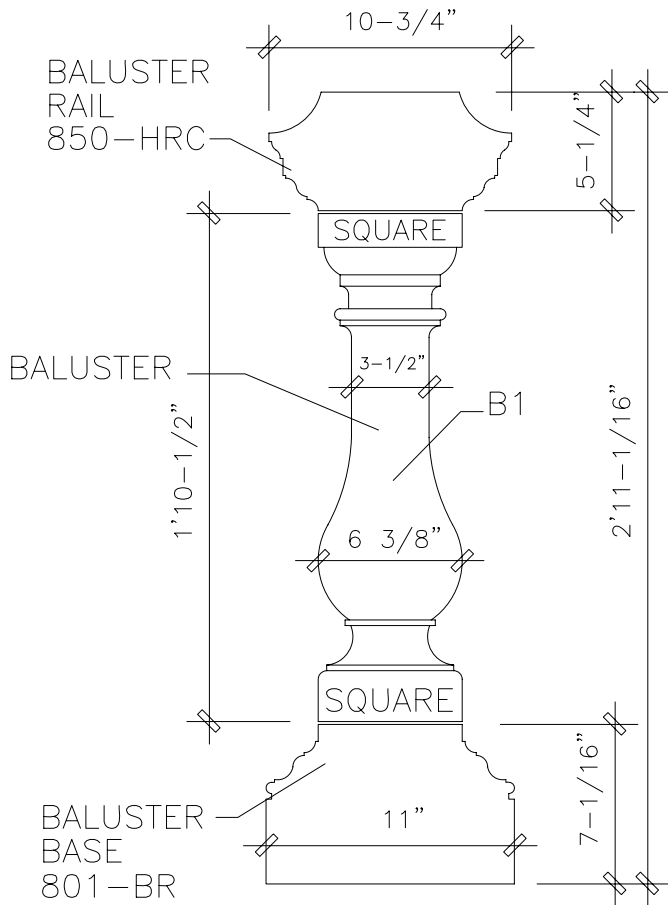


STANDARD BALUSTRADES



1 B1 BALUSTRADE
BASE 801-BR, RAIL 850-HRC AND PIER B1

2 B2 BALUSTRADE
BASE 801-BR, RAIL 850-HRC AND PIER B2

AMERICAN LIMESTONE COMPANY
A TEXAS CORPORATION
WWW.AMERICANLIMESTONE.COM
INFO@AMERICANLIMESTONE.COM

STANDARD BALUSTRADES B1 AND B2

BASE 801-BR, RAIL 850-HRC, AND PIERS B1 AND B2
SCALE: NTS

2.9.1



B-1 Balustrade (See p. 2.9.1 of ALC Solution Manual)